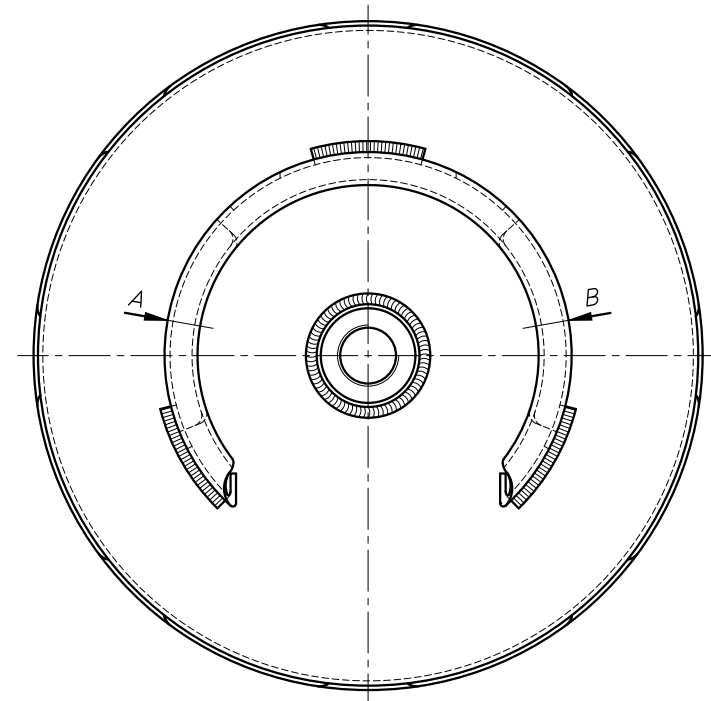
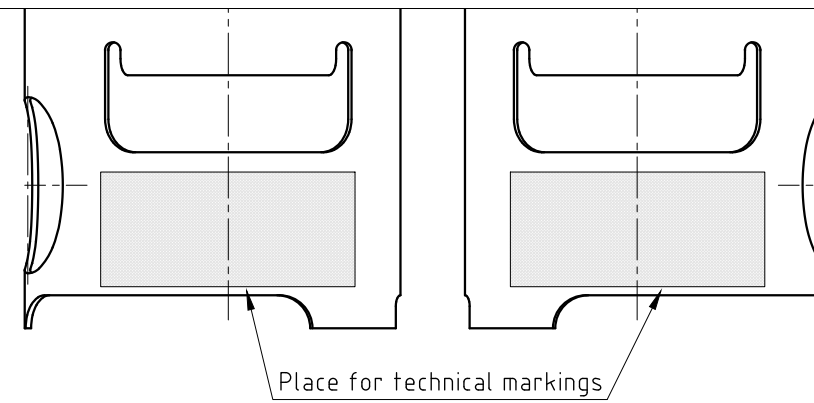
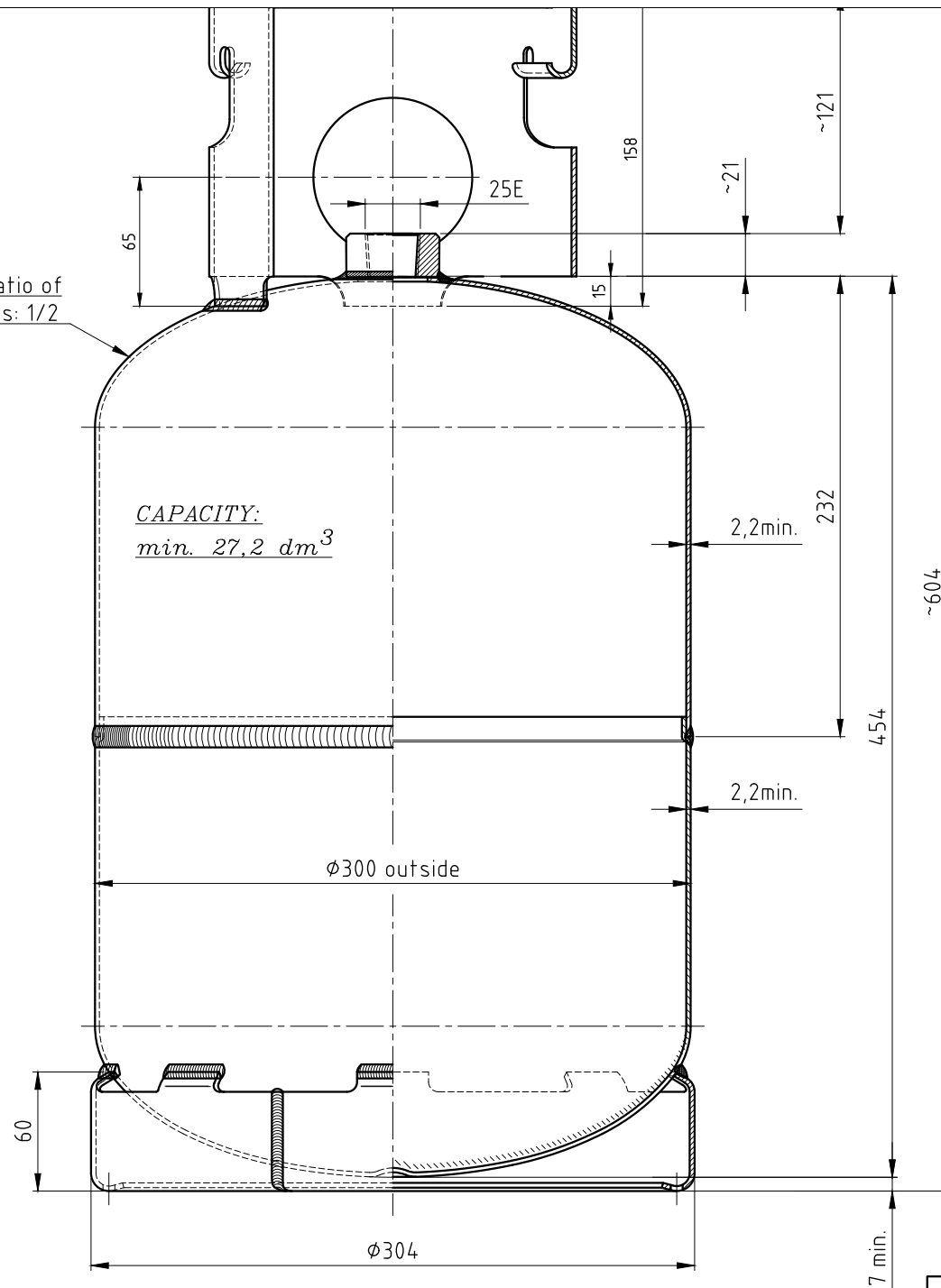



Ellipsoidal profil, ratio of inside ellipsoide axis: 1/2



 CHEMET GLI SAS Zone Industrielle F-67240 BISCHWILLER	Scale: 1/2,5	Weight: ~13 kg Material: Steel P355NB	Date: 28/08/18	Verified: Muller	Approved: Reutenauer
	<i>Cylinder 42 bar</i> <i>Water capacity: 27,2 L min.</i>				Drawing No DOB0309